

**PLUNGING MOTOR HANDLE**  
To be fixed directly on PRIME and SUPREME motor. (Optional)



**SIDE TABLE WITH ROLLERS**  
Composed by 5 galvanized rollers mounted on ball-bearings. Dimension: 800 x 600 mm. (Optional)



**STORAGE**  
Built to reduce at the maximum the encumbrance during the carriage and above all the storage space.

**BATTIPAV™**  
MACCHINE PER EDILIZIA | MACHINES FOR BUILDING

# SUPREME

## MARBLE BRIDGE SAWS

	SUPREME 85		SUPREME 100		SUPREME 120		SUPREME 150		SUPREME 200		SUPREME 260	
Article	Art. 8085	Art. 80851	Art. 8100	Art. 81001	Art. 8120	Art. 81201	Art. 8150	Art. 81501	Art. 8200	Art. 82001	Art. 8260	Art. 82601
CUTTING DISK Ø300 (int ø25,4mm.)	Optional											
ENGINE	Single phase / 230V/50Hz / 3Hp/2,2Kw											
ROTATION SPEED	2800 rpm											
AMPEROMETRICAL PROTECTION	13 A											
MAX CUTTING LENGTH	850 mm		1000 mm		1200 mm		1500 mm		2000 mm		2600 mm	
MAX SIZE TILE FOR DIAGONAL CUTS	600 x 600 mm		705 x 705 mm		845 x 845 mm		1060 x 1060 mm		1410 x 1410 mm		1839 x 1839 mm	
MAX CUTTING DEPTH AT 90°	85 mm											
MAX CUTTING DEPTH WITH 2 RUNS	135 mm											
MAX CUTTING DEPTH AT 45°	60 mm											
WORKING TABLE SIZE	855 x 625 mm				1185 x 625 mm		1485 x 625 mm		2055 x 625 mm		2715 x 625 mm	
WATER RECYCLING PUMP TYPE	S3 standard											
KIT WHEELS	Optional	Standard	Optional	Standard	Optional	Standard	Optional	Standard	Optional	Standard	Optional	Standard
LASER INSTRUMENT	Optional	Standard	Optional	Standard	Optional	Standard	Optional	Standard	Optional	Standard	Optional	Standard
DIMENSION MACHINE IN STOCK	720x1600x h. 1000 mm		720x1750x h. 1000 mm		720x1950x h. 1010 mm		720x2250x h. 1000 mm		720x2750x h. 1000 mm		720x3400x h. 1000 mm	
NET WEIGHT	80 Kg	94,3 Kg	92,7 Kg	97,1 Kg	99,3 Kg	104 Kg	106 Kg	112,6 Kg	125 Kg	130 Kg	155 Kg	161,6 Kg



*Designed and made in Italy*

**BATTIPAV™**  
MACCHINE PER EDILIZIA | MACHINES FOR BUILDING

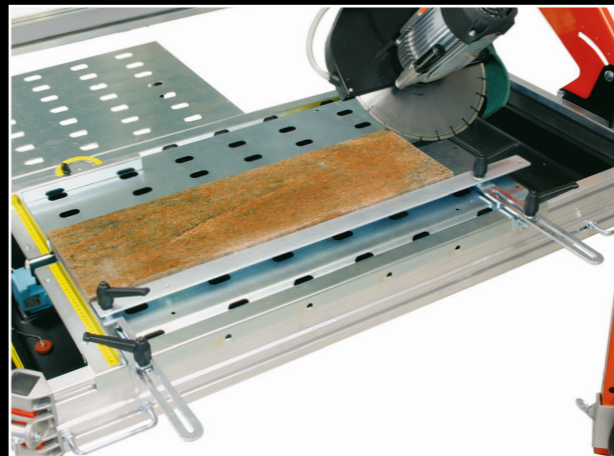
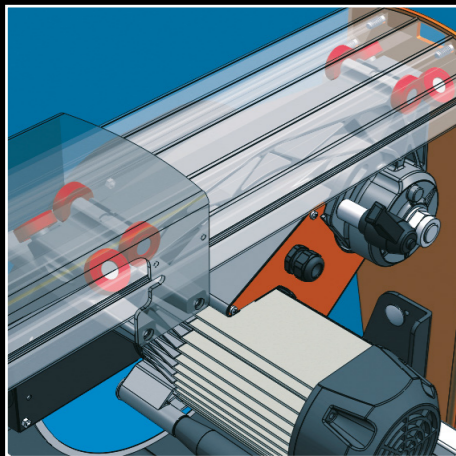
AUTHORIZED DEALER:



Z. i. 2 - Via Cavatorta, 6/1 | 48033 Cotignola (Ra) | ITALY  
Tel. +39 0545 40004 | Fax +39 0545 41724  
www.battipav.com | sales@battipav.com

January 2019

**APPLICATION**  
Built to cut natural-stones, granite and marble slabs with diamond disk Ø 300 mm.



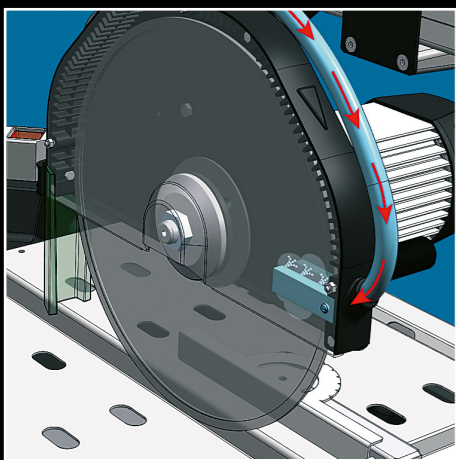
The carriage engine group slides with 8 ball-bearings on interchangeable stainless steel track.

Position for 45° angle cuts.

The **CUTTING PROGRESS SYSTEM** with **HANDWHEEL** adjusts the movement of the cutting head forward or behind.

**SIDE TILE SUPPORT**  
Made to have the top precision during the execution of straight and angled cuts on slabs of large size. Adjustable angle-shot cut.  
**Optional for the models: 85, 100, 120, 150 and 200.**  
(Optional)

**B-LOCK**  
Micrometric adjustable tile locking System. (Optional)



**Spray system**  
DISK'S LUBRICATION

**TT**  
POWER



ORIGINAL RECYCLING PUMP

**wdec**  
WATER DECANTING SYSTEM

**FastLEG**  
LEG FASTENING SYSTEM

**TT** YouTube  
OFFICIAL CHANNEL  
www.youtube.com/battipav

